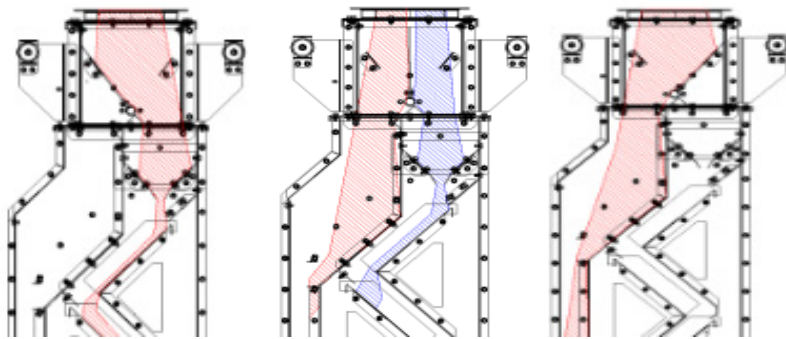




ONE SOURCE. ONE SOLUTION.

ULTRA CLEAN



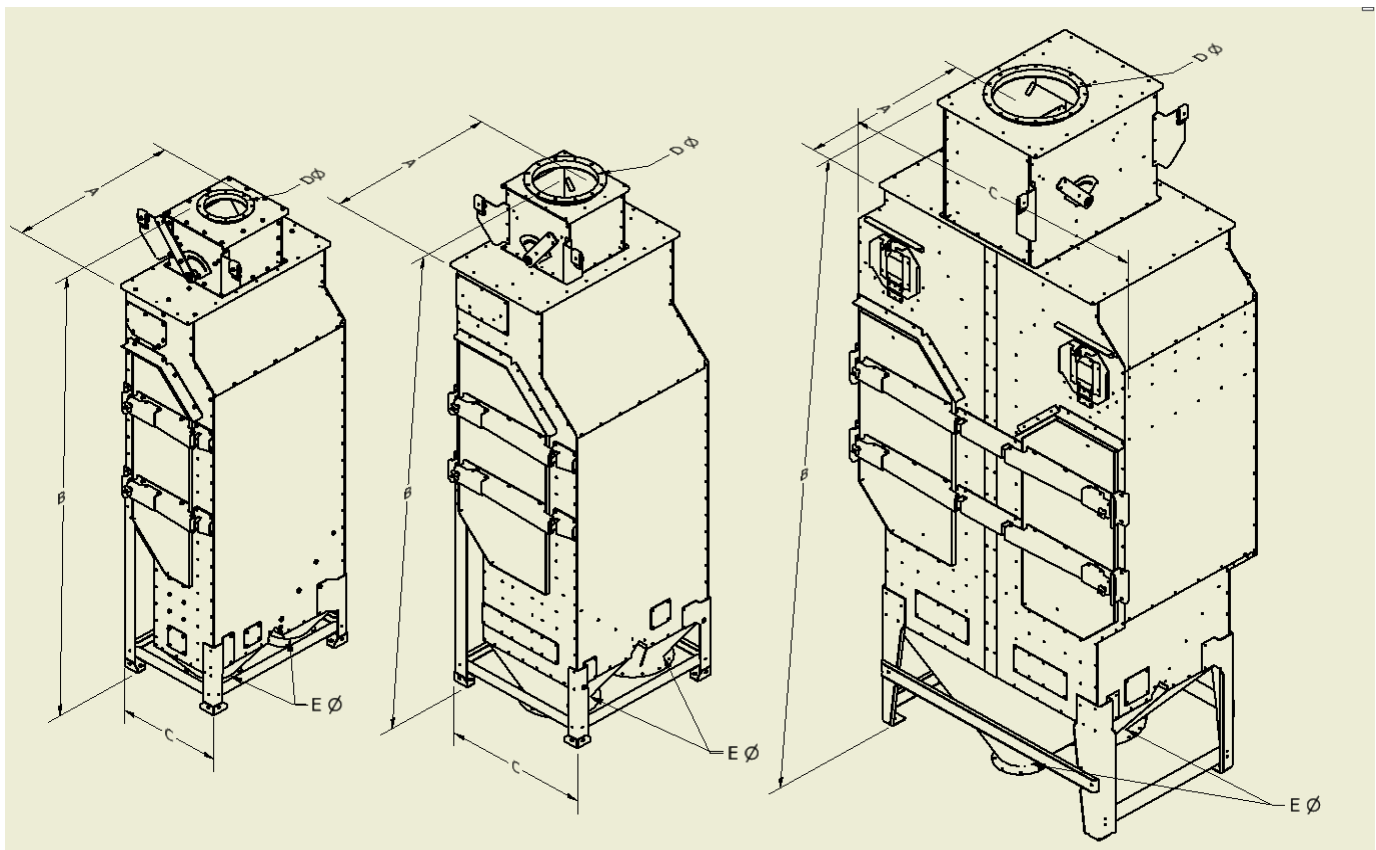
Lambton's Ultra Clean is a gravity screen cleaner that is designed to remove fines from a wide range of commodities. The unwanted materials are sifted through the screens by reversing the direction of grain as it falls through. The Ultra Clean is a bolted assembly constructed of galvanized steel that ensures a long service life and easy maintenance. The mounting position is very flexible allowing you to mount it at the top of a dryer, directly under a bucket elevator or under a dedicated spout on your distributor.

- Full or partial by-pass capability.
- Separate flow path for screenings.
- No power requirements.
- Easy to install and maintain.
- Bolted, Galvanized construction.
- Easy access door for cleaning and screen replacement.
- Reduce costly dockages for foreign material.
- Reduce drying time and increase storage capacity.
- No power requirements.

The new valve type inlet design simplifies operation of the cleaner. Cables can be extended to the ground to remotely control the flow path. Inspection ports have been added at critical locations. Various other modifications have been made to improve performance and simplify construction.



Ultra Clean - General Dimensions



Model A
Single set of Screens
(5 Screens)

Model B
Double set of Screens
(10 Screens)

Model C
Double sets of screens and units
(Model B) are back-to-back (20
Screens)

Model Type	Part No.	Capacity		A	B	C	D (Inlet Flange)	E (Outlet Flange)	Weight (LBS)
		BPH	MTPH						
A	SCR-1500	1500	38	26-5/8	85	20-7/8	8	6	550
	SCR-3500V1	3500	89	38-5/8	90-3/4	20-7/8	10	8	880
	SCR-5000V1	5000	127	50-3/8	98-1/2	20-7/8	12	10	1120
B	SCR-6000V1	6000	152	34-5/8	101-3/4	30	12	12	1290
	SCR-10000	10000	254	48	107-7/8	29-3/4	14	14	1800
C	SCR-12000V1	12000	305	37	154	70	16	16-product/8-foreign material	3010
	SCR-16000	16000	406	46-1/2	125	58	18	18-product/10-foreign material	3280

All dimensions are in inches; Intended for layout purposes only and are subject to change without notice

***Note:** V1 models are the new valve type design. Other sizes will be updated over time.

Our other range of products include

Grain Bins

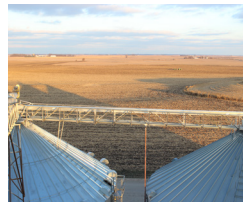
Bucket Elevator

Hopper Bins

Catwalks

Distributors

Chain Conveyors



www.lambtonconveyor.com

Lambton is a trademark of Lambton Conveyor Limited

Lambton Conveyor Limited

102 Arnold Street, Wallaceburg, Ontario, Canada, N8A 3P4

Tel: +1 519.627.8228 Toll Free: +1 888.239.9713 (North America)

Fax: +1 519.627.0250 Email: sales@lambtonconveyor.com

All specifications and designs are subject to change without notice due to continuous product improvement.