

# LDDC Series Double - Deck Drum Pre-Cleaner



ONE SOURCE • ONE SOLUTION

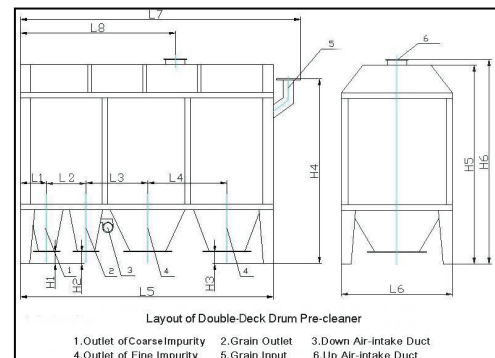
Double-Deck Drum Pre-Cleaner is the newly developed general grain processing unit, using double straight cylinders. The cylinder is adjustable according to the consumer requirements. It is widely used to preclean the coarse impurities and fine impurities in any granulated materials; such as, rice and wheat straw, paper, corn-cob and other impurities. The suitable meshes are chosen according to the different material characteristics.

Features Include:

1. Transmission device includes reducer, chain, chain wheel, the universal coupling and roller. One side of the cylinder is fixed on roller of the adjustable support, which can adjust the cylinder and keep it revolving. The other side is connected with universal coupling, which can keep it revolving at any cylinder adjustment.
2. Cylinder includes framework, griddles, gimbals joint, pulley and other parts. Griddles can be dismantled and maintained easily.
3. Body consists of the frame, doors, grain and impurity hoppers, etc. The frame is welded by high quality square steel tubing. The other parts are made by high quality steel sheets. The complete structure is strong and practical.
4. Low power consumption, high capacity, smooth and reliable running, convenient screen replacement and maintenance, compact structure and less floor space; It is widely used for precleaning of grain in the industries of feed, oil, flour, rice milling, grain storage/warehouse, food, chemicals, and much more.

Model	Capacity*	Power	Weight	Dimension
	T/H	KW	KG	L*W*H
LDDC85/190	20-50	1.5	1500	2950*1470*2490
LDDC100/220	30-60	2.2	2200	3410*1620*2680
LDDC100/320	50-80	4	2400	4380*1770*3060
LDDC100/420	70-100	5.5	2500	5600*1900*3160
LDDC125/320	70-100	4	2600	4680*2220*3460
LDDC125/420	80-120	5.5	3000	5600*2220*3660

Dimensions in Detail**													
L1	L2	L3	L4	L5	L6	L7	L8	H1	H2	H3	H4	H5	H6
365	513	956		2640	1470	2950	1320	130	130	130	2230	2430	2490
344	581	1210		3100	1620	3410	1550	140	140	140	2430	2620	2680
340	626	995	1351	4040	1770	4380	2490	140	140	140	2800	3000	3060
430	750	1200	1800	5200	1900	5600	3050	120	120	120	2800	3100	3160
350	620	980	1350	4050	2220	4680	2150	120	120	120	3000	3400	3460
430	750	1200	1800	5200	2220	5600	3050	120	120	120	3050	3600	3660



We manufacture a wide range of material handling, grain storage and feed equipment. Visit our website or consult a dealer for additional information!

ONE SOURCE • ONE SOLUTION

## Lambton Conveyor Limited

1247 Florence Road  
Florence, ON NOP 1R0  
Canada

<http://www.lambtonconveyor.com>

Phone : 1-519-695-2316  
Toll free : 1-888-239-9713  
Fax : 1-519-695-2529

[sales@lambtonconveyor.com](mailto:sales@lambtonconveyor.com)

# LSDC Series Single - Deck Drum Pre-Cleaner



ONE SOURCE • ONE SOLUTION

Single-Deck Drum Pre-Cleaner is simple structured and compact, which is mainly used for preliminary clean-up of coarse impurities in grain. For example, rice and wheat straw, hemp rope, paper sheet, earth block, corn leaf and corn stick, etc. The suitable meshes are chosen according to the different material characters.

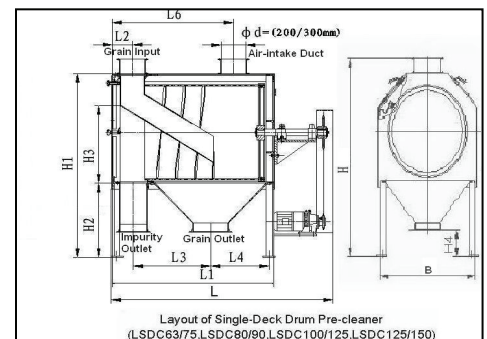
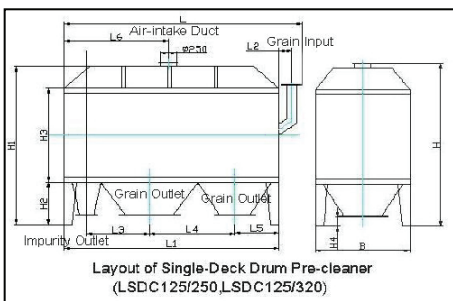
Features Include:

1. Good cleaning effect and high impurities removing efficiency. The efficiency of removing coarse impurities is more than 99%.
2. Feeding flow and processing flow are opposite to minimize the size of the cleaner.
3. Horizontal cantilever sieve drum is adopted. The sieve drum includes inlet and outlet sections, which combine different meshes in order to have an ideal screening effect.
4. The structure of inner sieving and outer brush cleaning is adopted. The impurities are discharged at outlet through a screw guide inside of the drum and are cleaned automatically and reliably.
5. Low power consumption, high capacity, smooth and reliable running. Convenient screen replacement and maintenance with compact structure obtaining less floor space. It is widely used for precleaning of grain in the industries of feed, oil, flour, rice milling, grain storage or warehouse, food, chemicals, and much more.

Single-Deck Drum Pre-cleaner

Model	Capacity*	Power	Weight	Dimension	Dimensions in Detail												
	T/H	KW	KG	L*W*H, mm	L	L1	L2	L3	L4	L5	L6	H	H1	H2	H3	H4	B
LSDC63/75	20-40	0.75	290	1400*790*1320	1400	1030	162	470	375		830	1320				195	770
LSDC80/90	30-60	0.75	400	1735*960*1630	1735	1260	212	585	475		1010	1622				210	940
LSDC100/125	50-80	2.2	800	2110*1200*2160	2110	1810	250	700	860		920	2160	2100	600	1250	150	1200
LSDC125/150	50-140	2.2	1200	2450*1450*2440	2450	2150	300	900	950		1100	2440	2370	600	1520	150	1450
LSDC125/250	60-160	2.2	1700	3660*1450*2670	3660	3300	200	965	1310	680	1600	2670	2600	700	1540	150	1450
LSDC125/320	80-180	3	1900	4360*1450*2670	4360	4000	200	1140	1660	860	1950	2670	2600	700	1540	150	1450

\*The capacity of the pre-cleaner vary on different grain or other intakes. \*\* The dimensions are subject to change without notice.



CONTACT US FOR MORE DETAILS ON YOUR PRE-CLEANING NEEDS!