

Flat Bottom Incline Conveyors



DESIGNED FOR YOU
BUILT FOR YOU
SINCE 1965

FLAT BOTTOM INCLINE CONVEYOR

Head Features

- Computer aided modular bolt together design
- CNC manufactured
- 10-8-5 gauge standard galvanized construction
- Heavy duty pillow block bearings
- Heavy duty drive sprocket
- Removable inspection cover
- Dust seals

Trough Features

- Computer aided modular bolt together design
- CNC manufactured
- 10 gauge galvanized sides
- 10-8-5 gauge galvanized bottoms
- available
- UHMW return rollers
- Pre-assembled trunk sections
- Optional abrasion resistant steel liners for bottom and sides

Tail Features

- Computer aided modular bolt together design
- CNC Manufactured
- 10-8-5 gauge standard galvanized construction
- Heavy duty pillow block bearings
- Heavy duty sprocket
- Acme screw slack adjusters
- Removable inspection covers
- Dust seals



Lambton Conveyor Limited

102 Arnold Street, Wallaceburg, Ontario, Canada, N8A 3P4

Tel: +1 519.627.8228 | Toll Free: +1 888.239.9713 (North America) | Email: sales@lambtonconveyor.com

All specifications and designs are subject to change without notice due to continuous product improvement.

www.lambtonconveyor.com

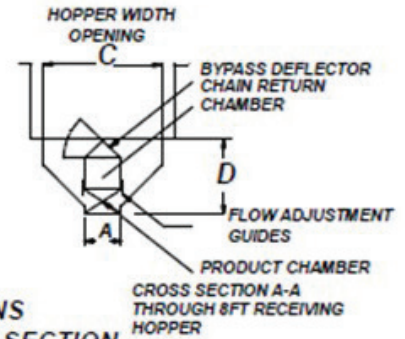
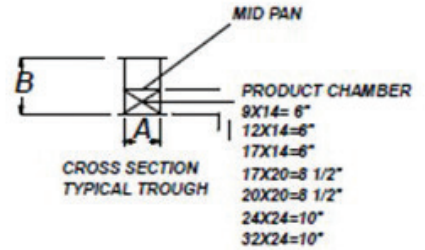
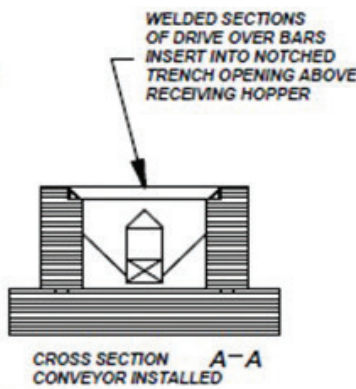
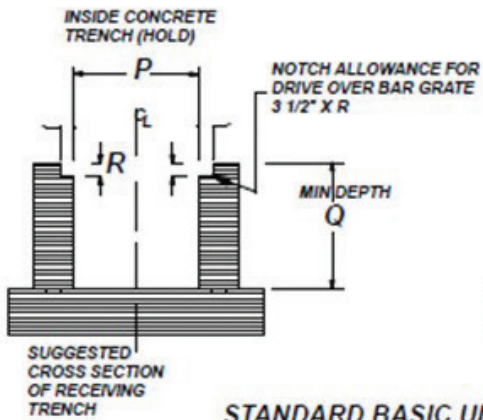
Lambton is a trademark of Lambton Conveyor Limited

BPH	Drag Size	RPM	FPM
1,000	GLID-09X14	34	74
1,500	GLID-09X14	51	110
2,100	GLID-09X14	71	154
2,500	GLID-09X14	85	185
3,100	GLID-12X14	69	155
3,400	GLID-12X14	78	170
3,900	GLID-12X14	90	195
3,900	GLID-17X14	71	153
5,000	GLID-17X14	90	195
4,000	GLID-17X20	29	99
5,000	GLID-17X20	36	124
6,000	GLID-17X20	43	149
7,000	GLID-17X20	50	174
7,000	GLID-20X20	43	147
7,500	GLID-20X20	46	157
8,000	GLID-20X20	48	165
8,500	GLID-20X20	51	177
7,000	GLID-24X24	26	106
8,000	GLID-24X24	29	121
9,000	GLID-24X24	33	134
10,000	GLID-24X24	37	152
10,000	GLID-32X24	27	110
12,500	GLID-32X24	33	138
15,000	GLID-32X24	40	165

*For chain Speeds & Capacities not listed here, call Lambton's Engineering Department for assistance.

	9X14	12X14	17X14	17X20	20X20	24X24	32X24
RADIUS	60"	60"	60"	72"	72"	96"	96"
A	9	12	17	17	20	24	32
B	14	14	14	20	20	24	24
C	29	32	39	41	45	51	59
D	22	22	25	30	33	39	42
E	17	17	17	23	23	27	27
F	69	69	69	73	75	78	78
J	20	20	20	20	20	24	24
L	36	36	36	36	36	46	46
M	254	254	254	263	263	290	290
P	30.5	33.5	40.5	42.5	45.5	52.5	60.5
Q	27	27	30	36	39	45	48
R	3.5	3.5	3.5	3.5	4.5	4.5	4.5
S	49.5	49.5	49.5	56	56	71.5	71.5
T	109.5	109.5	109.5	117	117	139	139

*All dimensions are in inches intended for layout purposes
 *Standard trough sections are in 60" & 120" LG sections

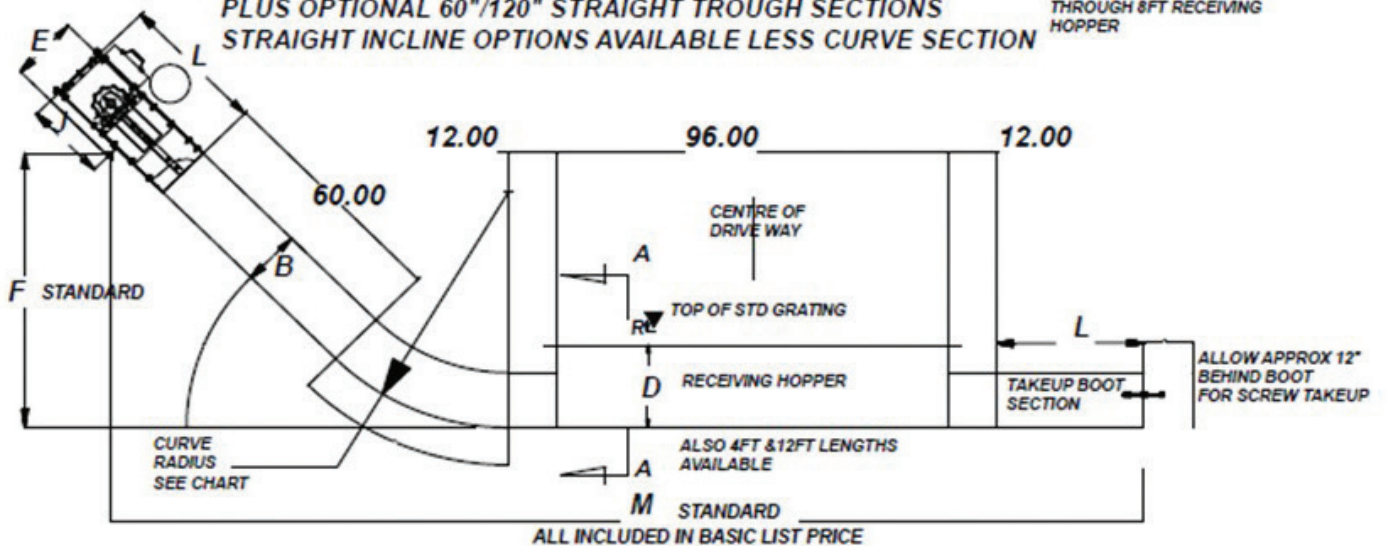


STANDARD BASIC UNIT LENGTH PLUS OPTIONAL 60"/120" STRAIGHT LENGTHS

ANGLE OF CURVE CAN BE ADJUSTED IN 5 DEGREE INCREMENTS UP TO 50 DEGREE

CENTRE PAN THROUGH FULL LENGTH OF CONVEYOR PLUS OPTIONAL 60"/120" STRAIGHT TROUGH SECTIONS STRAIGHT INCLINE OPTIONS AVAILABLE LESS CURVE SECTION

HEAD SECTION RH OR LH DRIVE OPTIONS



ALL INCLUDED IN BASIC LIST PRICE