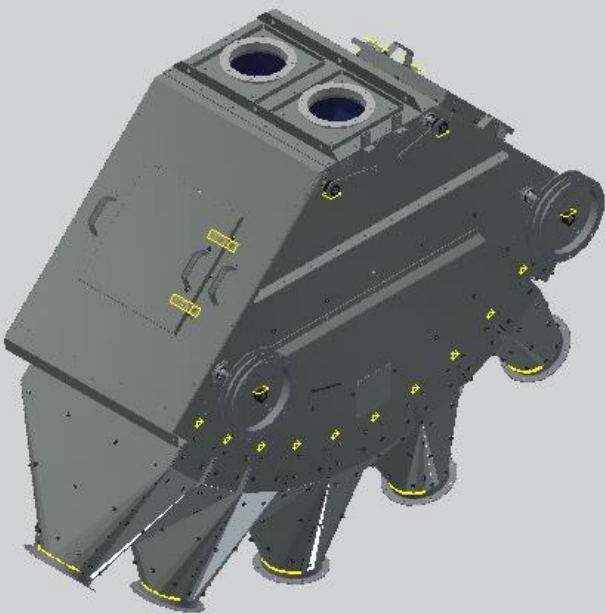


ONE SOURCE. ONE SOLUTION.



Assembly Manual

FSA-DDIST-10-08
Dual Inlet Mounting
ASSEMBLY INSTRUCTIONS

➤ Warranty and Terms of Sale

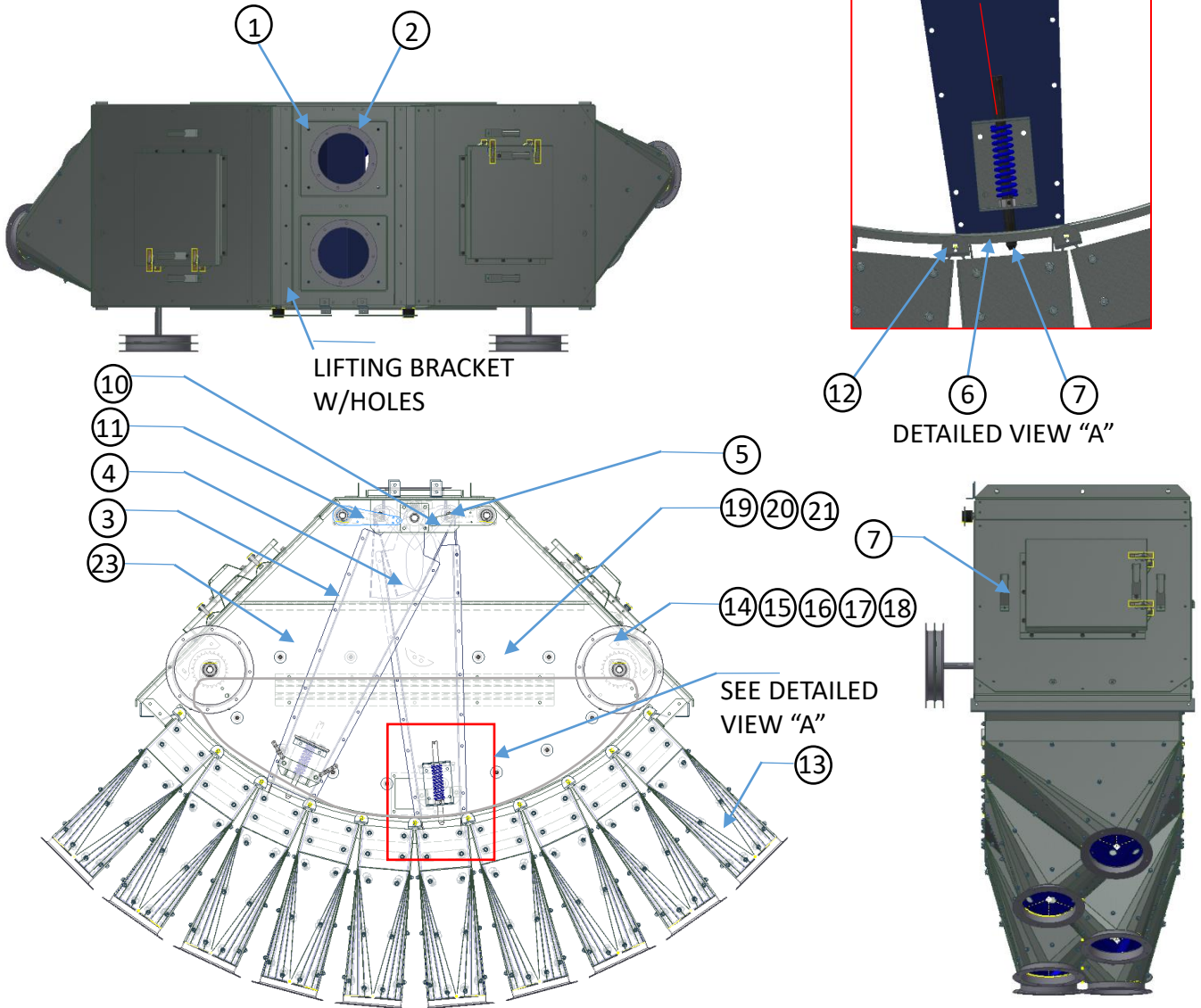
- Lambton conveyor limited warrants all products manufactured by Lambton conveyor to be free of defects in material and workmanship under normal usage and conditions for a period of 2 years after retail sale to the original end user of such products. Lambton conveyor's only obligation is, and purchaser's sole remedy shall be for Lambton conveyor, to repair or replace, at Lambton conveyor's option and expense, products that, in Lambton conveyor's sole judgment, contain a material defect due to materials or workmanship. All delivery and shipment charges to and from Lambton conveyor factory will be purchaser's responsibility. Expenses incurred by or on behalf of the purchaser without prior written authorization from an employee of Lambton conveyor limited shall be the sole responsibility of the purchaser
- Except for the above stated express limited warranties, Lambton conveyor limited makes no warranty of any kind, expressed or implied, including, without limitation, warranties of merchantability of fitness for a particular purpose or use in connection with (i) product manufactured or sold by Lambton conveyor limited or (ii) any advice, instruction, recommendation or suggestion provided by an agent, representative or employee of Lambton conveyor limited regarding or related to the configuration, installation, layout, suitability for a particular purpose, or design of such product or products.
- In no event shall Lambton conveyor limited be liable for any direct, indirect, incidental or consequential damages, including, without limitation, loss of anticipated profits or benefits. Purchaser's sole and exclusive remedy shall be limited to that stated above, which shall not exceed the amount paid for the product purchased. This warranty is not transferable and applies only to the original purchaser. Lambton conveyor limited shall have no obligation or responsibility for any representative or warranties made by or on behalf of any dealer, agent or distribution of Lambton conveyor limited.
- Lambton conveyor assumes no responsibility for field modifications or erection defects, which create structural or storage quality problems. Modifications to the product not specifically covered by the contents of this manual will nullify any product warranty that might have been otherwise available.
- The foregoing warranty shall not cover products or parts, which have been damaged by negligent use, misuse, alternation or accident. This warranty covers products manufactured by Lambton conveyor limited only. This warranty is exclusive and in lieu of all other warranties express or implied. Lambton conveyor limited reserves the right to make design or specification changes at any time.

Prior to installation, purchaser has the responsibility to research and comply with all federal, provincial and local codes which may apply to the location and installation.

➤ Installation

- While mounting the distributor it is important to provide the inspection doors and control wheels for the maintenance of the distributor. The angle with the holes can be used to support the distributor .
- The round collar on top of distributor is not for support the distributor and do not put excessive stress on the same collar. Bending or twisting of collar will cause the spouts to blind and will create operational problems.
- To minimize the stress on the base unit connect the opposite duct of the distributor from last spouted duct and use the reversible elbow to gain desired angle of the spouts.
- Join the inlet from the leg or conveyor without any additional thrust and force.
- Between the time when spouts have been connected and before the control cable run operate the distributor by manually and if any discrepancies is noticed then fix that at the same time.
- Attach the hand control wheel bracket at the level which can be easily operated by the operator and it will allow routing of the cable between hand control wheel and cable wheel on the distributor.
- Remove the outer half of the control housing and blot the back channel will enables to pull it downward while tensioning the cables.
- Wrap cables around the wheels on the distributor and cable wheel in hand control housing.
- Lock the spouts either far right/left position before starting wrap cable on wheels and determine the how many turns are needed on distributor BY sending it downward on the outer lever on top side , it will increase the level of the end latching plate and count the number of turns it takes to go from on far side to the opposite far side.
- To hold the cable in proper place it should be wrapped at least one complete turn around the cable wheel before attaching cable clamp bolt in the wheel.
- When the cable clamp bolt is tight then wrapping of cable should be continue at least one or more round than actual wheel rotation needed.
- To prevent the erosion and binding of the cable line should be properly positioned. It will be recommended that to minimize the cable length as possible to smoothly operate the rotation of the distributor spout by the operator.
- On the control wheel housing, tighten the cable by pulling it down and then do same operation for the side bolts in slotted holes without any excessive tightness in the cable, otherwise it may lead to harden the operation.
- Similarly, run the cable by foot pedal to outside lever o the top od distributor.
- On the face of sprocket, the number cards has been provides to the pointer is pointing ate the point and corresponding number will be placed on the sprocket face when inner spot will move to each duct opening.
- To ensure the each spout position by operator, bearing on the end of spout should be locked in a duct
- **The distributor is not designed to support the weight from any accessories. Spouting, Valves, Cleaners, etc must have their own supporting structures**

Dual Inlet Distributor Part List

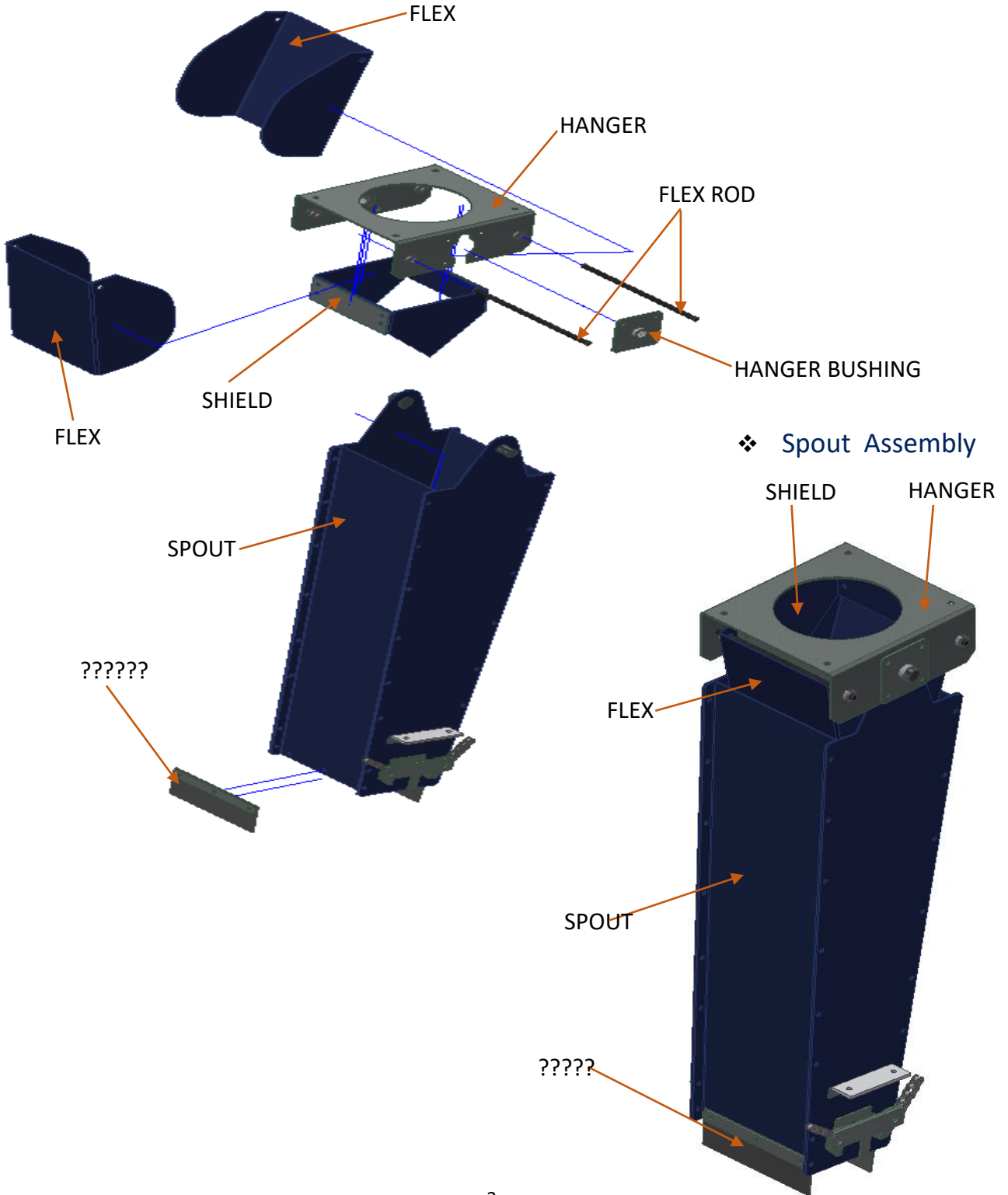


ITEM No.	DESCRIPTION
1	STEPPED WASHER
2	FLANGE (TYPICAL)
3	INNER SPOUT
4	SPOUT FLEXES
5	PIVOT RODS FOR FLEXES
6	LATCH PLATE
7	RELEASE PIN
8	PIN GUIDE
9	LIFTING CABLE
10	OUTER LEVER FOR RAISING LATCH
11	INEER LEVER FOR RAISING LATCH

ITEM No.	DESCRIPTION
12	DUCT SEAL CHANNEL
13	DISCHARGE DUCTS
14	CABLE WHEEL
15	OPERATING SHAFTS
16	SHAFT BEARING
17	KEYES SPROCKET
18	IDLER CHAIN
19	ROLLER CHAIN
20	UHMW CHAIN GUIDE
21	SPOUT BRACKET FOR CHAIN
22	REMOVABLE PANELS
23	MAIN HOUSING PANEL

➤ Spout Detail

❖ Spout Exploded View



➤ General assembly of manual controls for dual inlet distributors

