

ROUND BOTTOM

Incline Conveyors



DESIGNED FOR YOU
BUILT FOR YOU
SINCE 1965

ROUND BOTTOM INCLINE CONVEYOR

Head Features

- Computer aided modular bolt together design
- CNC manufactured
- 10-8-5 gauge standard galvanized construction
- Heavy duty pillow block bearings
- Heavy duty drive sprocket
- Removable inspection cover
- Dust seals

Trough Features

- Computer aided modular bolt together design
- CNC manufactured
- 10 gauge galvanized sides
- 10-8-5 gauge galvanized bottoms available
- Pre-assembled trunk sections
- Optional abrasion resistant steel liners for bottom and sides.

Tail Features

- Computer aided modular bolt together design
- CNC Manufactured
- 10-8-5 gauge standard galvanized construction
- Heavy duty pillow block bearings
- Heavy duty sprocket
- Acme screw slack adjusters
- Removable inspection covers
- Dust seals



Lambton Conveyor Limited

102 Arnold Street, Wallaceburg, Ontario, Canada, N8A 3P4

Tel: +1 519.627.8228 | Toll Free: +1 888.239.9713 (North America) | Email: sales@lambtonconveyor.com

All specifications and designs are subject to change without notice due to continuous product improvement.

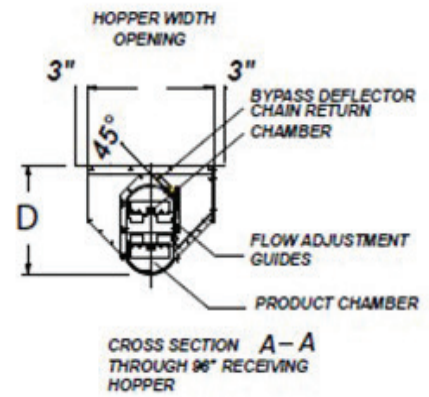
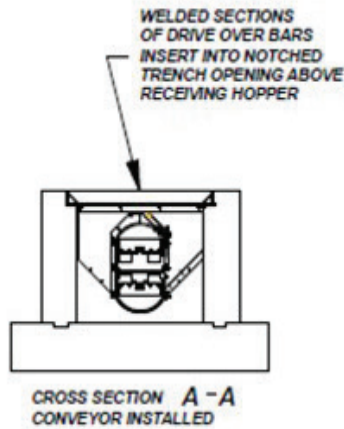
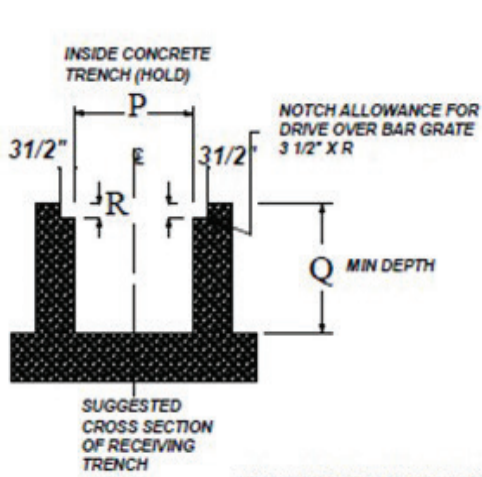
www.lambtonconveyor.com

Lambton is a trademark of Lambton Conveyor Limited

BPH	DRAG SIZE	RPM	FPM
1,000	GLIR-09x14	29	62
1,500	GLIR-09x14	43	93
2,100	GLIR-09x14	61	130
2,600	GLIR-09x14	74	160
3,100	GLIR-09x14	88	192
3,100	GLIR-12X14	55	123
3,400	GLIR-12x14	78	170
3,900	GLIR-12x14	90	195
4,300	GLIR-12x14	76	170
5,000	GLIR-12x14	90	195
5,000	GLIR-17X14	48	104
6,000	GLIR-17x14	58	125
7,000	GLIR-17x14	67	146
8,000	GLIR-17X14	76	166
7,000	GLIR-17X20	35	122
8,000	GLIR-17X20	40	139
9,000	GLIR-17X20	45	156
10,000	GLIR-17X20	50	174

	9X14	12 X 14	17 X 14	17 X 20	24 X 24
RADIUS	62"	64"	64"	78"	78"
A	9	12	17	17	24
B	14	14	14	20	24
C	29	32	32	41	51
D	25.5	30	30	41	
E	19.3	22	22	33	
F	70.4	72	72	74	
G	21.3	23.6	23.6	35	
J	20	20	20	30	
L (HEAD)	37.5	37.5	37.5	43.5	
L (BOOT)	37.5	37.5	37.5	45.5	
M	255	256	256	273	
P	30.5	33.5	40.5	42.5	
Q	36	36	42	48	
R	3.5	3.5	3.5	3.5	

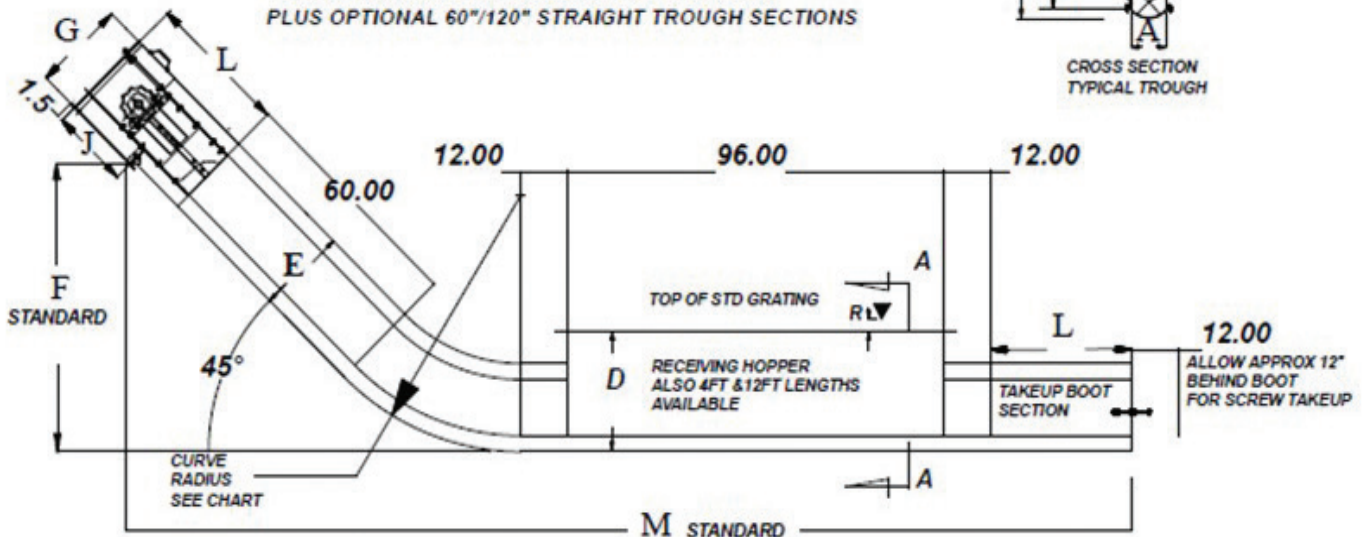
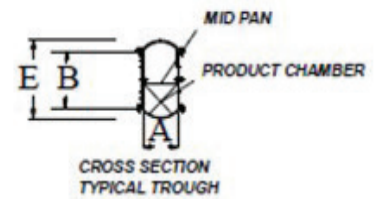
*All dimensions are in inches intended for layout purposes
 *Standard trough sections are in 60" & 120" LG sections



STANDARD BASIC UNIT LENGTH
 PLUS OPTIONAL 60"/120" STRAIGHT
 LENGTHS
 ANGLE OF CURVE CAN BE ADJUSTED IN 5 DEGREE
 INCREMENTS UP TO 50 DEGREE

HEAD SECTION
 RH OR LH
 DRIVE OPTIONS

CENTRE PAN THROUGH FULL LENGTH OF CONVEYOR
 PLUS OPTIONAL 60"/120" STRAIGHT TROUGH SECTIONS



ALL INCLUDED IN BASIC LIST PRICE